



# HEIDENHAIN



**Functional  
Safety**

Product Information

**ECN 1123**  
**EQN 1135**

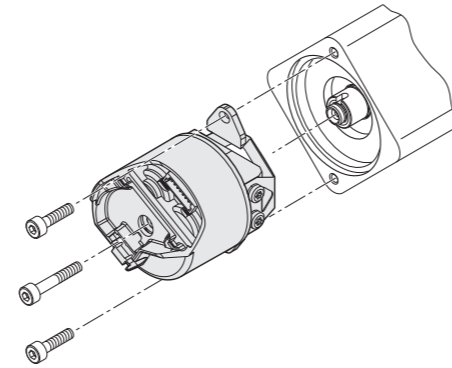
Absolute Rotary Encoders  
with 1KA Positive-Locking  
Hollow Shaft for Safety-  
Related Applications

01/2023



# Mounting

The blind hollow shaft of the rotary encoder is seated onto the measured shaft and fastened with a central screw. It is particularly important to ensure that the positive-locking element of the rotary encoder shaft securely engages the corresponding slot in the measured shaft. Mounting on the stator side is performed without a centering collar on a flat surface with two clamping screws. Use screws with material bonding anti-rotation lock (see *Mounting accessories*).



## Mounting accessories

### Screws

Screws (central screw, mounting screws) are not included in delivery and can be ordered separately.

	Screws <sup>1)</sup>		Lot size
Central screw for ECN 1123	ISO 4762-M3x22-8.8-MKL	ID 202264-65	10 or 100
Central screw for EQN 1135	ISO 4762-M3x35-8.8-MKL	ID 202264-66	
Fastening screw for flange	ISO 4762-M3x10-8.8-MKL	ID 202264-87	20 or 200

<sup>1)</sup> With coating for material bonding anti-rotation lock

Please note the information on screws from HEIDENHAIN in the *Encoders for Servo Drives* brochure, under the heading *Screws with material bonding anti-rotation lock* in the chapter *General mechanical information*.

### Mounting aid

To avoid damage to the cable, use the mounting aid to connect and disconnect the cable assembly. The pulling force must be applied solely to the connector and not to the wires.

ID 1075573-01

### Mounting aid

The mounting aid allows the shaft of the rotary encoder to be turned from the rear of the device, making it easy to find the positive-locking connection between the encoder shaft and the measured shaft.

ID 821017-03

**More information:**  
For the customer-side mounting design, the material properties and conditions in accordance with the General mechanical information in the *Encoders for Servo Drives* brochure (ID 208922-xx) must be complied with.

The material specifications for aluminum and steel apply both to the customer-side shaft and stator.



# Electrical connection

## Cables

Output cables inside the motor housing		
With 15-pin PCB connector and 8-pin M12 flange socket (male); TPE wires in braided sleeve and wires for a temperature sensor		TPE 10 × 0.16 mm <sup>2</sup> <sup>1) 2)</sup> ID 1117412-xx
With 15-pin PCB connector; Ø 3.7 mm EPG (with shield crimping Ø 4.5 mm) and wires for temperature sensor		EPG 1 × (4 × 0.06 mm <sup>2</sup> ) + 4 × 0.06 mm <sup>2</sup> <sup>2)</sup> TPE 2 × 0.16 mm <sup>2</sup> ID 1108078-xx

<sup>1)</sup> Wires with braided sleeve

<sup>2)</sup> The shield connection must be implemented on the motor

**Information for safety-related applications:** Document the bit error rate in accordance with Specification 533095!

## Pin layout

15-pin PCB connector											
	Power supply				Serial data transmission				Other signals <sup>1)</sup>		
	<b>13</b>	<b>11</b>	<b>14</b>	<b>12</b>	<b>7</b>	<b>8</b>	<b>9</b>	<b>10</b>	<b>5</b>	<b>6</b>	
	<b>U<sub>P</sub></b>	Sensor <b>U<sub>P</sub></b>	<b>0V</b>	Sensor <b>0V</b>	<b>DATA</b>	<b>DATA</b>	<b>CLOCK</b>	<b>CLOCK</b>	<b>T<sub>+</sub></b> <sup>2)</sup>	<b>T<sub>-</sub></b> <sup>2)</sup>	
	Brown/ Green	Blue	White/ Green	White	Gray	Pink	Violet	Yellow	Brown	Green	

<sup>1)</sup> Only with output cables inside the motor housing

<sup>2)</sup> Connections for external temperature sensor; evaluation optimized for KTY 84-130 (see *Temperature measurement in motors* in the *Encoders for Servo Drives* brochure)

**Cable shield** connected to housing; **U<sub>P</sub>** = Power supply voltage

**Sensor:** The sense line is connected in the encoder with the corresponding power line.

Vacant pins or wires must not be used!

**Note for safety-related applications:** Only completely assembled HEIDENHAIN cables are qualified.

Do not modify cables or exchange their connectors without first consulting with HEIDENHAIN Traunreut!

Output cables with a cable length > 0.5 m require strain relief for the cable.

# HEIDENHAIN

**DR. JOHANNES HEIDENHAIN GmbH**

Dr.-Johannes-Heidenhain-Straße 5

**83301 Traunreut, Germany**

+49 8669 31-0

+49 8669 32-5061

info@heidenhain.de

[www.heidenhain.com](http://www.heidenhain.com)

This Product Information document supersedes all previous editions, which thereby become invalid. The basis for ordering from HEIDENHAIN is always the Product Information document edition valid when the order is placed.

**More information:**

Comply with the requirements described in the following documents to ensure correct and intended operation:

- Operating Instructions

1390321-xx